

REV	POSITION	DATE	DESCRIPTION

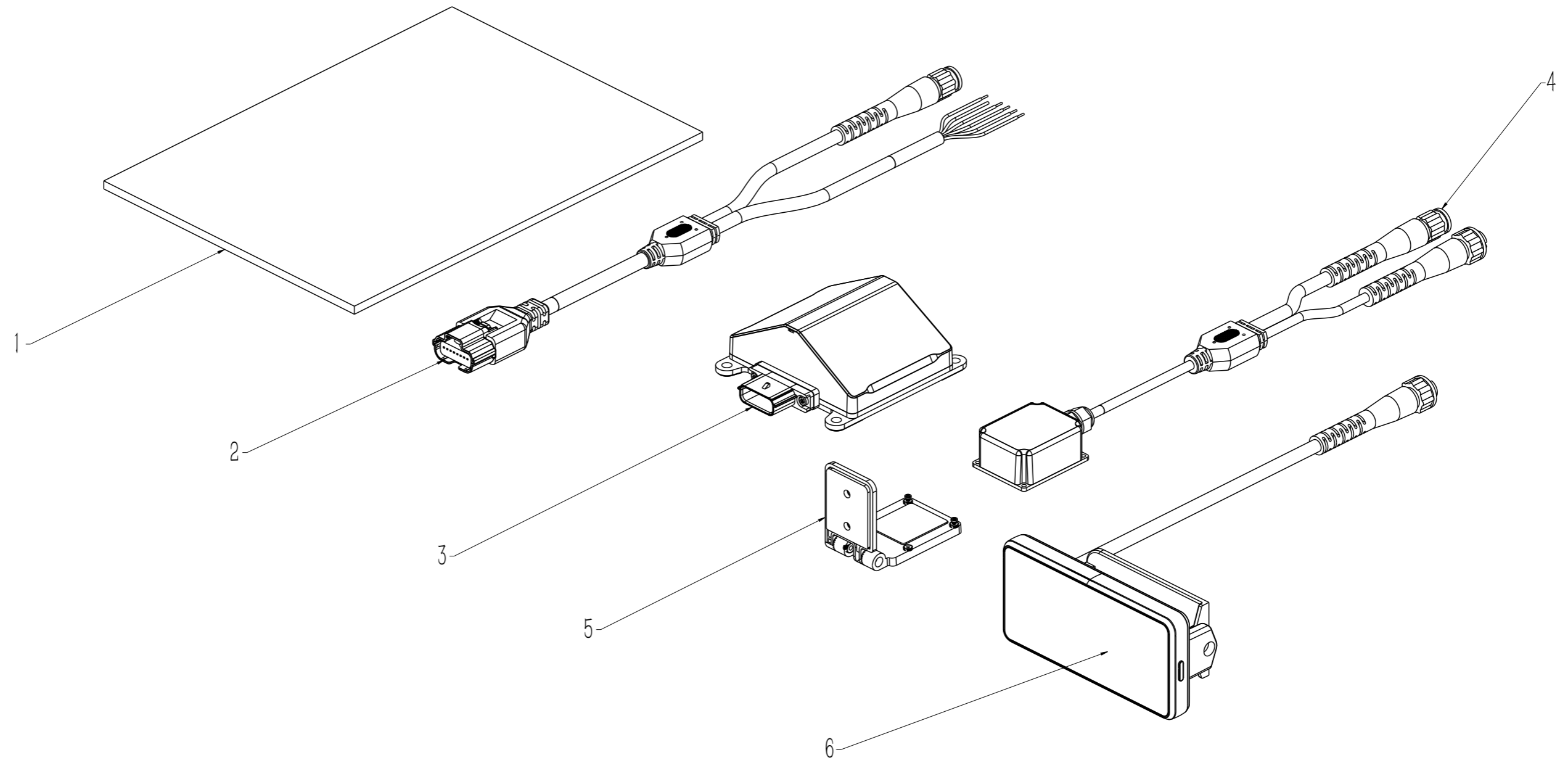


Table 1: Product number

No.	Name	Product number
1	quick guide	500007098
2	radar cable	105000017
3	radar	105000014
4	gps&imu module	105000019
5	swivel bracket assembly	105000034
6	screen	105000026

DIM				±TOL			AUTEL 道通科技股份有限公司 Autel Intelligent Technology Corp., Ltd.		TITLE: RADAR ALL	
0~30	0.20	0.15	0.10	Plastic	Sheetmetal	Machining	These Drawings And Specification Are The Property Of AUTEL. And Shall NOT Be Reproduced Copied Or Used In Any Manner Without The Prior Written Consent Of AUTEL.	DRAW: Jianbing Zhang	UNIT'S: mm	DWG NO.: RADAR_ALL
30~120	0.35	0.25	0.15					CHKD: Haibin Lu	FINISH: /	
120~300	0.65	0.35	0.20					STAD: Guangping Ou	MASS(Kg): /	PART NO.:
300~600	1.10	0.50	0.25					APPD: Dengguo Zhang	SCALE: 1:1	REV
600~1200	1.75	0.60	0.30							V1
>1200	2.10	0.80	0.50							
ANG	/	1°	30'					PROJ	SHEET: OF	PRODUCT: ASR100
										MATERIAL:

RELEASE LEVEL: []
FILE NAME: RADAR_ALL